

# QuickStart Guide

## E-1

OLYMPUS AMERICA INC.  
Two Corporate Center Drive, Melville,  
NY 11747-3157, U.S.A.  
<http://www.olympusamerica.com/E1/>

OLYMPUS OPTICAL CO. (EUROPA) GMBH  
Wendenstrasse 14-18, 20097 Hamburg, Germany  
<http://www.olympus-europa.com/>

**OLYMPUS**

<http://www.olympus.com/>

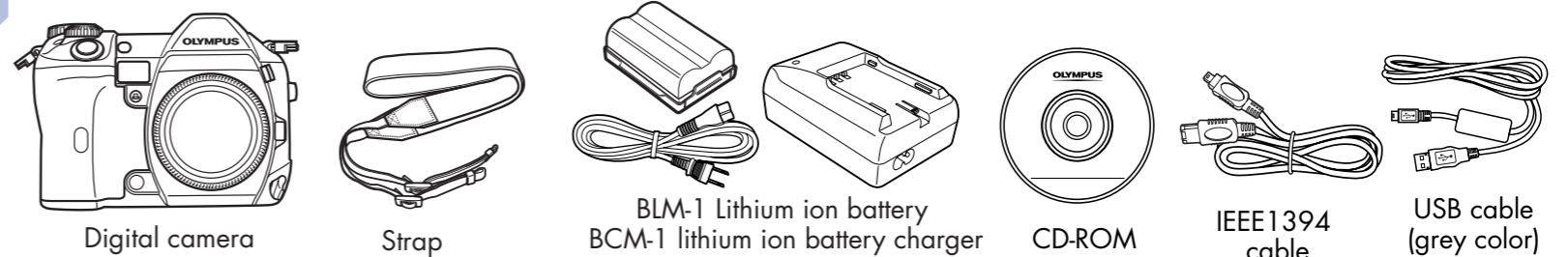
# START HERE

It is strongly recommended that you follow these step-by-step numbered instructions to set up and quickly begin using your new Digital Camera.

For more detailed instructions on advanced features, please refer to the instruction manual.

## 1 UNPACKING THE BOX CONTENTS

Gather your digital camera and the parts as shown in the illustration. You'll need these to complete the steps for the camera set-up procedures that follow.



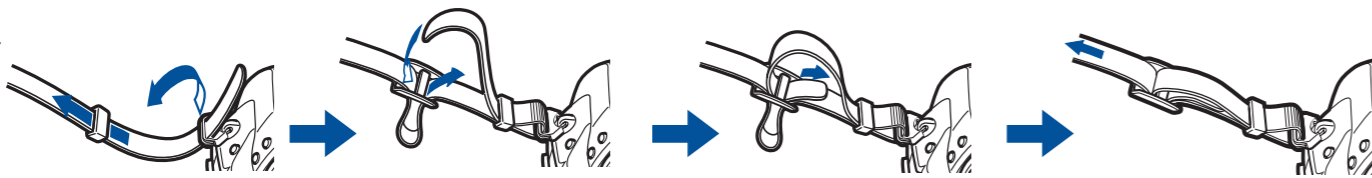
**Cards (Compact Flash and Microdrive) are optional.** The following items are also included in this package: Reference manual\*<sup>1</sup>, Basic Manual\*<sup>2</sup>, video cable, warranty card, registration card (not provided in some areas), and safety precautions booklet.  
\*1 Provided as a pdf file on the CD-ROM in some areas.  
\*2 Provided in areas where the Reference Manual is on the CD-ROM.

## 2 PREPARE THE CAMERA FOR USE

Before you begin using your Olympus digital camera...

### a. Attaching the strap

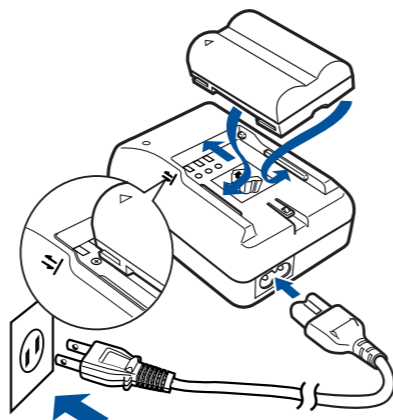
Attach the strap as shown below.



### b. Charging the battery

The battery is not fully charged when purchased. Before use, be sure to charge the battery with the specified provided charger (BCM-1).

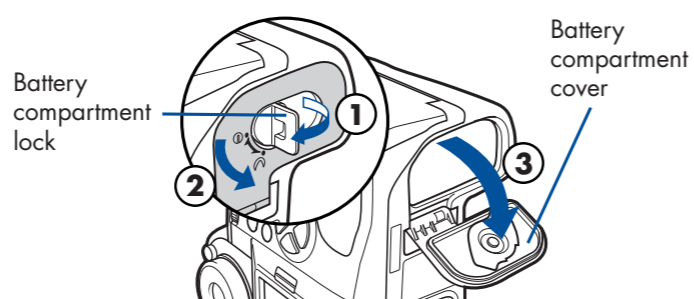
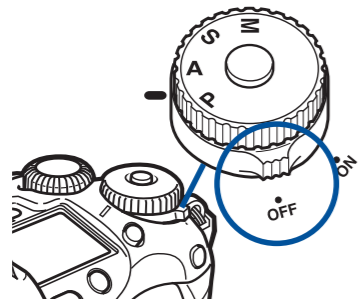
Hold the battery with its terminals facing the charger and align the battery with the guideline (≡) on the charger as shown in the illustration. Slide the battery into the charger.



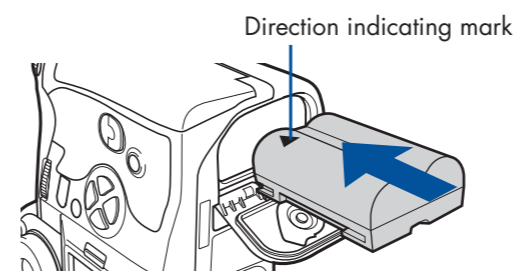
### c. Loading the battery

1) Make sure that the camera's power switch is set to **OFF**.

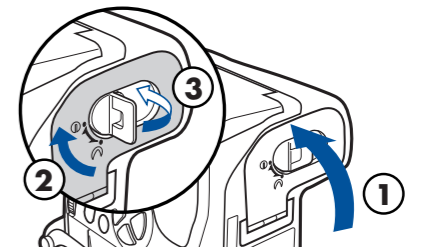
2) Turn the battery compartment lock to  $\curvearrowright$  and open the battery compartment cover.



3) Load the battery as illustrated.



4) Close the battery compartment cover and turn the battery compartment lock to  $\ominus$ .

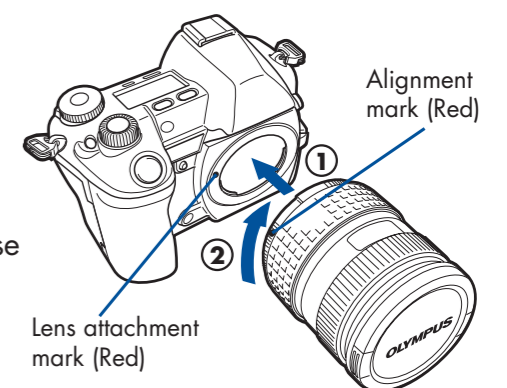


### d. Attaching a lens to the camera

1) Remove the body cap from the camera.

2) Remove the rear cap from the lens.

3) Align the lens attachment mark (red) on the camera with the alignment mark on the lens (red), then insert the lens into the camera's body ①. Rotate the lens clockwise until you hear it click ②.

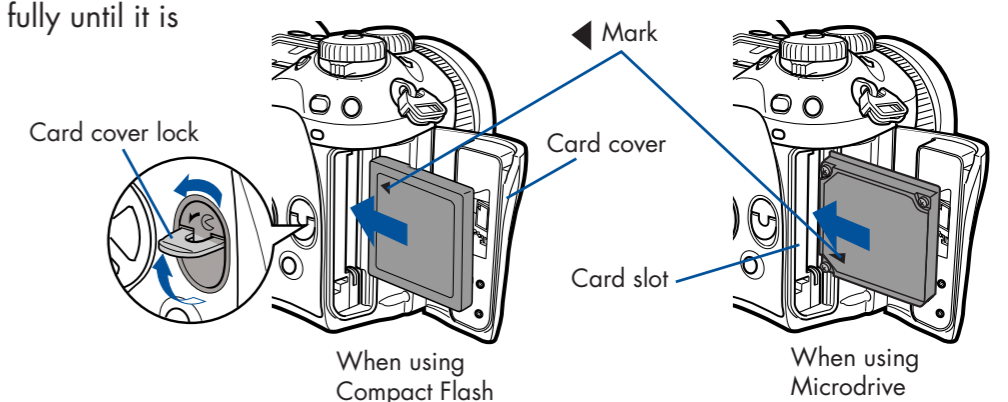


### e. Inserting the card

1) Turn the card cover lock in the direction of the arrow and open the card cover.

2) Insert the card fully with the  $\blacktriangleleft$  mark side facing toward the monitor side (the camera's rear side) as illustrated.

3) Close the card cover fully until it is locked closed.



## 3 TURNING ON THE CAMERA

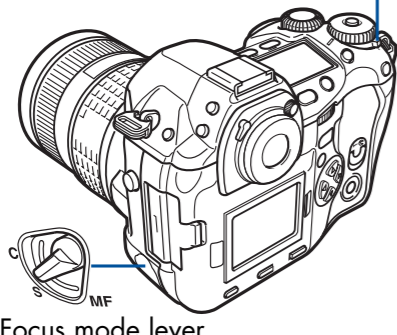
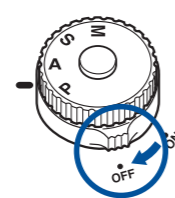
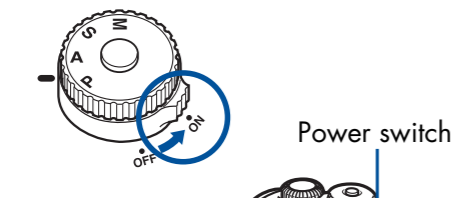
### a. Turn the camera ON

#### • Power ON :

Set the power switch to ON.

#### Power OFF :

Set the power switch to OFF.



• Set the focus mode lever to S.

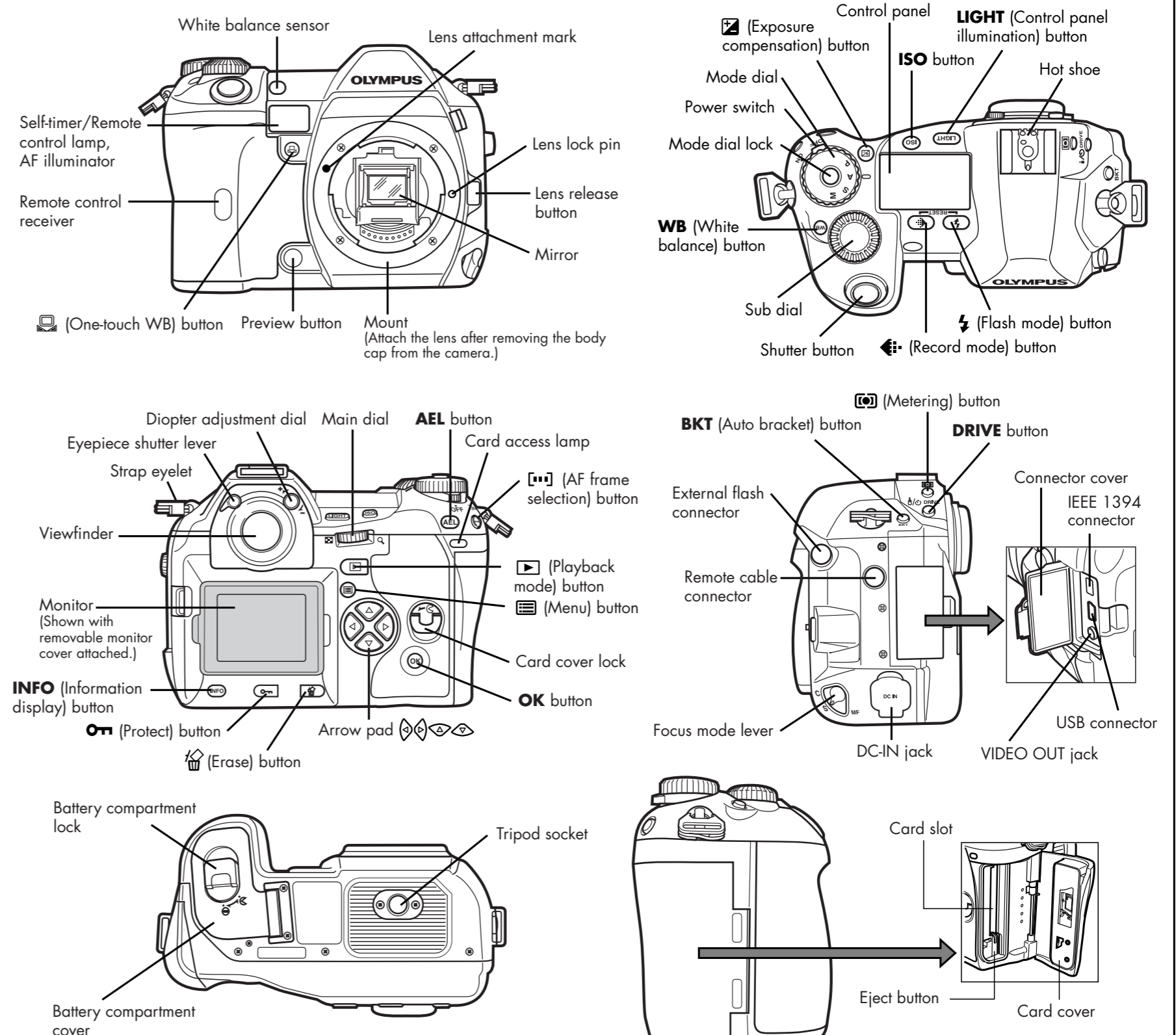
### b. Set the Date and Time (OPTIONAL)

Although this is not required, it is recommended that you set the date and time. This affects the way image file names are created, and will conveniently include this information with each picture. The date and time can also be set when the camera is in the playback mode.

- Set the power switch to **ON**.
- Press  $\text{MENU}$  to display the menu.
- Press  $\text{LEFT}$  three times to select  $\text{DATE/TIME}$ .
- Press  $\text{RIGHT}$  once to highlight  $\text{DATE}$ , and then press  $\text{LEFT}$  once.
- Use  $\text{LEFT}$  and  $\text{RIGHT}$  to select the date format.
- Adjust the date and time in the appropriate fields by using  $\text{LEFT}$  and  $\text{RIGHT}$  to select the field, and  $\text{UP}$  and  $\text{DOWN}$  to set the proper value.
- Repeat this step until all date/time fields have been set.
- ▶ **Note: Time is entered using the 24-hour format.**
- Press **OK** twice to set the date and time and exit the menu.

### c. Camera Diagram and Controls

Now take a moment to familiarize yourself with the key areas of camera controls by reviewing the illustrations.



# 4 TAKING PICTURES

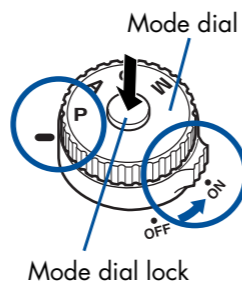
Try the easiest way to shoot first. Please refer to the Reference Manual for more information.

## a. Turning on the power

- Remove the lens cap.
- While holding down the mode dial lock, set the mode dial to **P**.

**P : Program shooting**  
The camera sets the optimum aperture value and shutter speed automatically according to the subject brightness.

- Set the power switch to **ON**.



The battery check indication appears on the control panel.



: Remaining power level is high.

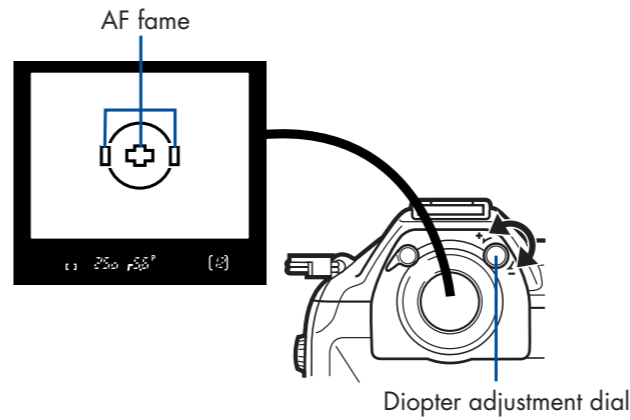


: Remaining power level is low.

**No indication** : Battery power is depleted.

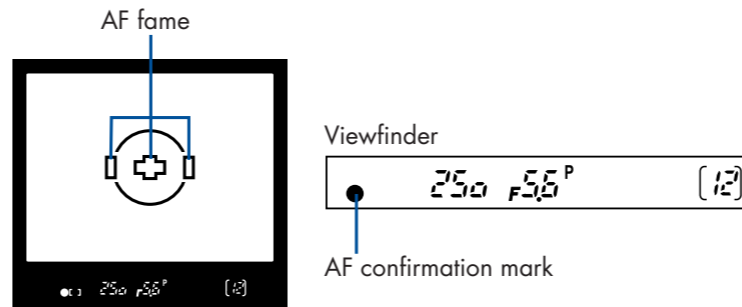
## b. Adjusting the viewfinder's diopter

While looking through the viewfinder, rotate the diopter adjustment dial little by little to the right or the left. When you can see the AF frame clearly, adjustment is complete.



## c. Taking a Picture

- Position the AF target mark on the subject you want to focus on.
- Press the shutter button halfway.



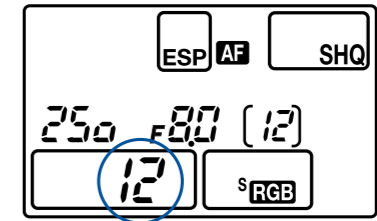
The digital camera confirms the focus and exposure are properly set when the AF confirmation mark in the viewfinder lights steadily. A beep sound is output when the subject is in focus.

- Press the shutter button completely to take the picture. A short beep confirms your picture has been taken.

## d. Number of storable pictures

The approximate number of pictures that can be stored is determined by the memory capacity of the card and the file size of the pictures. When a card is inserted into the camera, the number of storable pictures is displayed on the control panel.

See the Reference Manual for complete descriptions of each record mode and the storable frame capacity for the various resolution modes.



Number of storable pictures

# 5 VIEWING AND ERASING PICTURES

With this digital camera, you can easily view the photos you want—and delete the ones you don't.

## a. Viewing Pictures

There are two ways to access the Playback mode:

- If the camera is turned off, set the power switch to **ON** and press .
- OR
- If the camera is in the shooting mode, press or .

The last picture taken appears in the monitor. Use to scroll through all the images saved on your card.

When you are finished reviewing your pictures:

- To turn off the camera, set the power switch to **OFF**.
- OR
- To return to the shooting mode, press the shutter button halfway.

## b. Erasing Pictures

The beauty of digital photography is your ability to keep the photos you want, delete the rest, and reuse empty memory space to take new pictures.

**Single-Frame Erase:** Deletes only the picture currently displayed in the monitor.

**Once erased, pictures cannot be restored.**

- Set the power switch to **ON**, press and use the arrow pad to display the picture you want to erase.
- Press .
- Press to select YES, and then press **OK**.

**All-Frame Erase:** Deletes all pictures on the card in one operation, except for pictures you have protected.

**Once erased, pictures cannot be restored.**

- Set the power switch to **ON**, press .
- Press .
- Use to select the tab, then press .
- Use to select CARD SETUP, then press to access the CARD SETUP screen.
- ALL ERASE should be highlighted. Press **OK**.
- As a safeguard, this digital camera will ask you to select YES or NO to confirm erasing, as this process permanently deletes all unprotected pictures. Select YES and press **OK**.

# 6 CONNECTING THE CAMERA TO A COMPUTER

**TIP:** Olympus recommends using the optional AC-1 AC adapter to ensure a consistent power supply when downloading images.

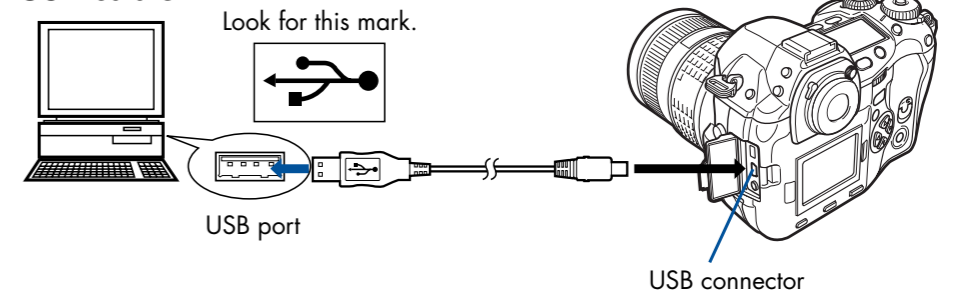
**Windows 98 users must install the "USB Driver for Windows 98" software before connecting this digital camera to the computer. Refer to the Reference Manual for complete information.**

**Make sure that the camera is turned off before connecting it to your computer.**

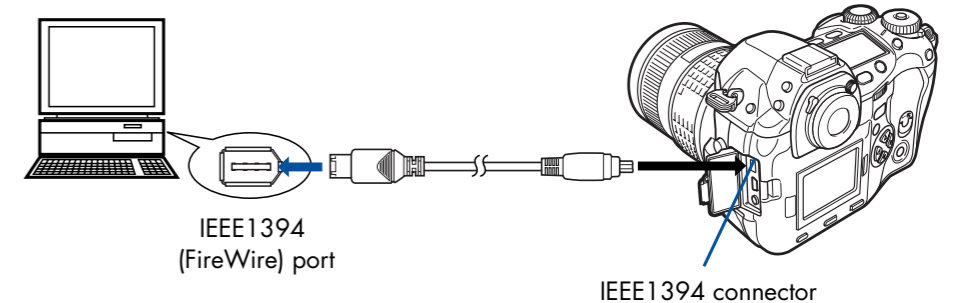
Olympus makes it simple to connect this digital camera to your computer.

- Turn the camera off.
- Plug the supplied USB cable or IEEE1394 cable into the ports on your camera and computer as illustrated at right.
- Set the power switch to **ON**. The camera starts communicating with the PC.

## USB cable



## IEEE 1394 cable



# 7 INSTALLING THE CAMERA SOFTWARE

You've now mastered the basic functionality of your new Olympus digital camera! You are now ready to begin exploring the possibilities that digital photography brings to your computer. Activities such as photo editing, printing, and much more are only steps away!

## About the CD-ROM

Your Olympus digital camera comes bundled with a suite of software and documentation. The CD includes:

- OLYMPUS Viewer** : To download pictures from the camera, view, organize, retouch, and print your digital photos.
- USB Driver for Windows 98:** This utility must be installed to allow the camera to communicate with your computer if it uses the Microsoft Windows 98 operating system.
- Olympus Digital Camera Reference Manual:** The Reference Manual is provided as a pdf file on the CD-ROM in some areas.

## You are now ready to install the computer software.

- Open the CD-ROM package and locate the software Installation guide in the language you wish to use.
- Continue to follow the step-by-step instructions for installing the software, and enjoy your new digital photo processing capabilities!

## OLYMPUS Studio Trial Version

Allows you to control the camera from a PC. Once installed, the software can be used for 30 days.



## Additional Camera Features

This digital camera offers a host of advanced features to expand your creativity. Here's just a small sampling. See the Reference Manual for details on these capabilities, and more!

- 4 exposure Modes:** This camera has 4 exposure modes to choose from depending on the shooting conditions and the effect you want to achieve.
- 3 Focus Modes:** With focus mode lever, you can select from Single Auto Focus, Continuous Auto Focus and Manual Focus.
- 3 AF frames:** You can select only one AF frame to focus on your subject.
- Shutter release priority:** Allows you to take a picture without waiting until focusing and flash charge are finished.
- Drive mode:** Try sequential shooting, self-timer shooting and remote control shooting.
- Close-up Playback:** Enlarge the pictures in the monitor to check details of the selected image.
- Index Display:** View several thumbnail pictures on the monitor at once.
- Protecting Pictures:** Prevents you from accidentally erasing photos.
- Information display:** Allows you to display detailed information about the picture. Luminance information is also displayed.

**TIP:** Remember to complete and return your Registration Card, and keep all camera documentation handy.

**Technical Support (USA)**  
1-800-260-1625 (Toll-free)  
8:00 AM - 10:00 PM ET  
Monday - Friday  
e-slrpro@olympusamerica.com  
http://www.olympusamerica.com/E1/

**European Technical Customer Support**  
00800-67 10 83 00 (Toll-free)  
+49(0)1805-67 10 83 or +49(0)40-23 77 38 99 (Charged)  
9:00 AM - 6:00 PM MET  
Monday - Friday